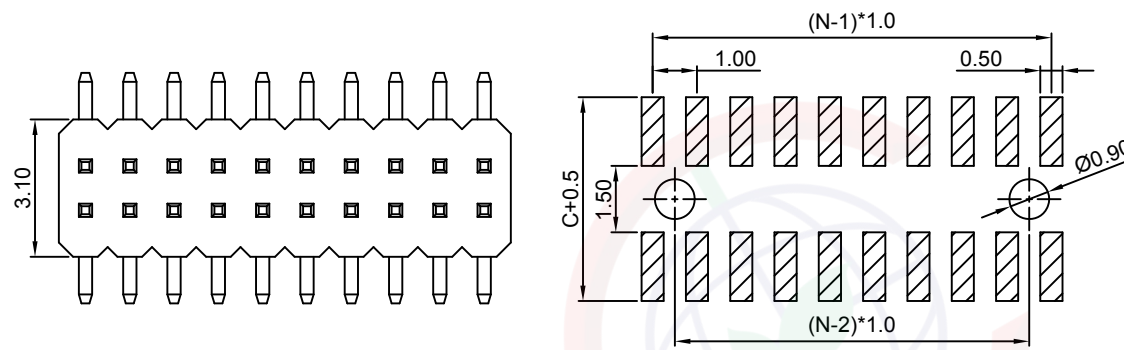


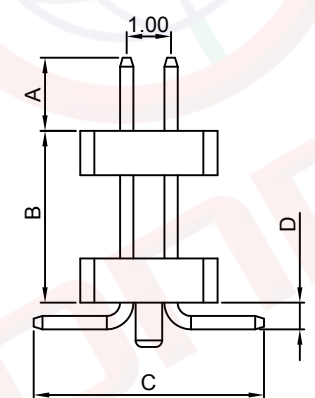
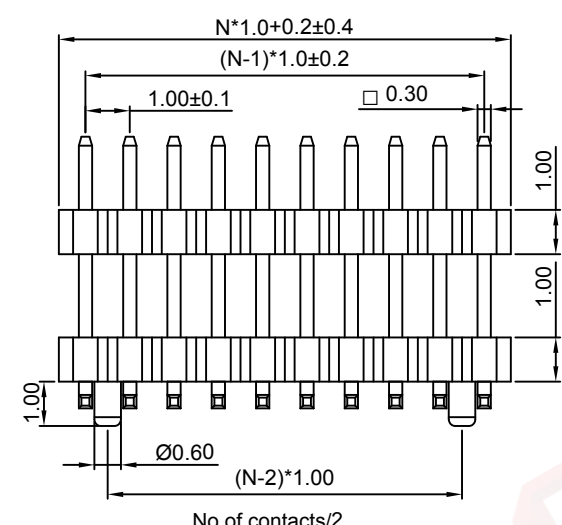
The information provided herein is from CONNELY Electronic Co., Ltd. and is confidential. Any disclosure to a party other than the recipient is prohibited. The intellectual properties and its rights contained herein, including but not limited to, trademarks, patents, copyrights, trade secrets, and technical know-how, are owned exclusively by CONNELY or its affiliates. Unauthorized use or reproduction of any part of this document is strictly prohibited. CONNELY may enforce its intellectual property rights at its own discretion, failures or delays to exercise such rights does not constitute a waiver of such rights.

| | |
|------|---|
| Dept | |
| Qty | |
| DC | 1 |
| ED | 1 |
| IE | 1 |
| ISO | 1 |
| PD | 1 |
| R&D | 1 |
| SD | 1 |
| QA | 1 |
| QC | 1 |
| QF | 1 |

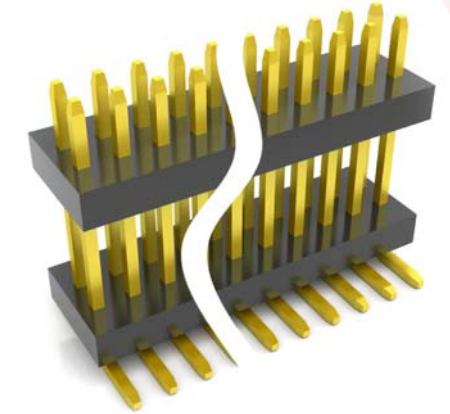
| REV. | DESCRIPTION | DRAWN | CHECKED | APPROVED |
|------|----------------|---------------|---------|---------------|
| A | NEW RELEASE | YCH 03/24/09' | | LJC 03/24/09' |
| B | DRAWING UPDATE | JLZ 08/21/20' | | |
| C | DRAWING UPDATE | JLZ 08/18/23' | | |



Recommend PCB layout(Tolerance:±0.05)



| Type | DIM A | DIM B | DIM C | DIM D |
|------|-------|-------|-------|-------|
| 1 | 1.65 | 5.30 | 5.20 | 0.60 |
| 2 | 1.65 | 6.93 | 5.20 | 0.60 |
| 3 | 1.65 | 9.20 | 5.20 | 0.60 |



(Series Image-Reference Only)

Notes:

Specifications:

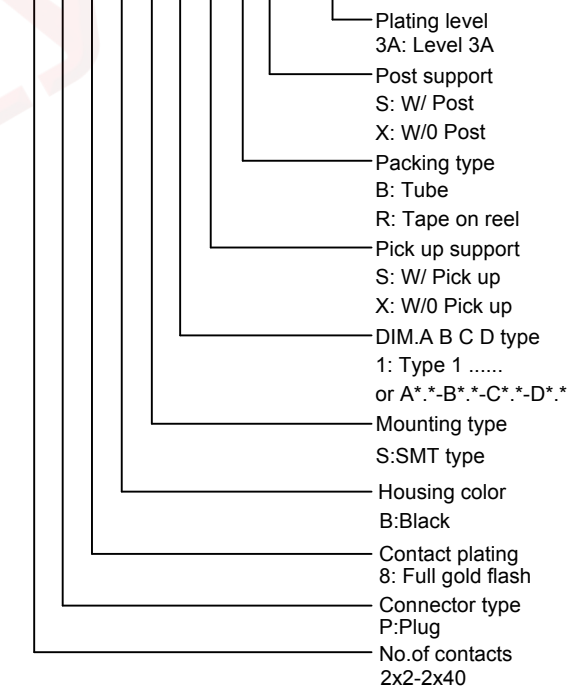
1. Contact Resistance: 30mΩ Max.
2. Insulation Resistance: 1000MΩ Min.
3. Dielectric Withstanding Voltage: 300V AC(rms) For 1 Minute.
4. Current Rating:0.75A.
5. Temperature: -40°C~+105°C.

Materials:

1. Contact Material: Copper Alloy.
2. Contact Plating: Gold Plating Over Nickel.
3. Insulator Material: High temp,Black,UL94-V0.

Product Number Code:

DS1031-28 - X X X X X X X X X - X



| | | | | | | | |
|-------------------|-------|-------------------------|--------|--|----|--------|------------------------------|
| GENERAL TOLERANCE | | ANGLE TOLERANCE | | PROJECTION | | TITLE | 1.00mm Pin Header Double Row |
| X. | ±0.60 | X. | ±5° | UNITS | mm | | Stack SMT Type H=1.0mm |
| .X | ±0.38 | .X | ±3° | SHEET SIZE | A4 | SERIES | DS1031-28 SERIES |
| .XX | ±0.25 | .XX | ±2° | 晨翔电子有限公司 CONNFLY ELECTRONIC CO. LTD | | | |
| DRAWING TYPE | | CUSTOMER | | | | | |
| SCALE | 1:1 | SHEET | 1 OF 1 | | | | |
| DRAWING NO. | | C-DS1031-28-XXXXXXX-X-C | | | | | |