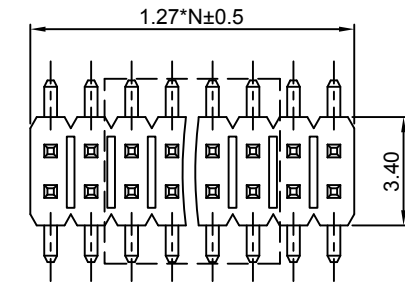
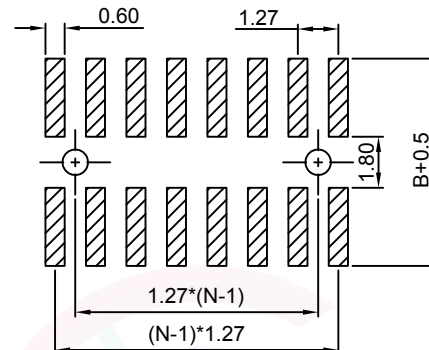
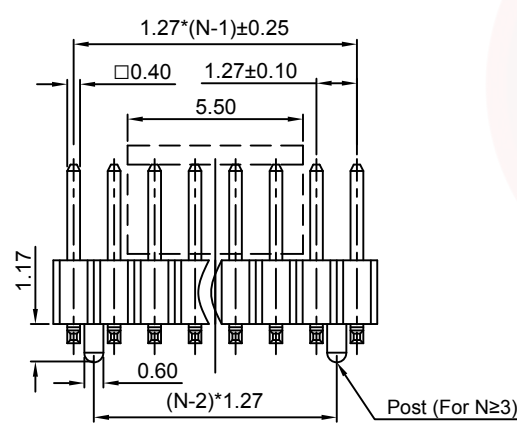


Dept	
Qty	
DC	1
ED	1
IE	1
ISO	1
PD	1
R&D	1
SD	1
QA	1
QC	1
QF	1

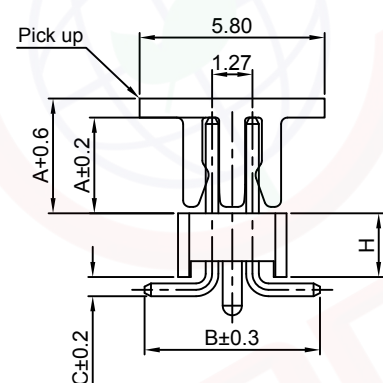
The information provided herein is from CONNELY Electronic Co., Ltd. and is confidential. Any disclosure to a party other than the recipient is prohibited. The intellectual properties and its rights contained herein, including but not limited to, trademarks, patents, copyrights, trade secrets, and technical know-how, are owned exclusively by CONNELY or its affiliates. Unauthorized use of any information contained herein, in whole or in part, for any purpose other than the intended use is strictly prohibited. CONNELY may enforce its intellectual property rights at its own discretion, failures or delays to exercise such rights does not constitute a waiver of such rights.



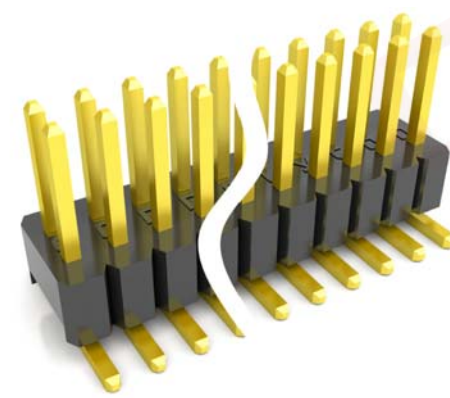
N=Number of contacts/2



Recommend PCB layout (Tolerance:±0.05)



Type	DIM A	DIM B	DIM C
1	3.00	5.50	0.60
2	3.70	5.70	0.60



(Series Image-Reference Only)

REV.	DESCRIPTION	DRAWN	CHECKED	APPROVED
A	NEW RELEASE	LJH 06/22/05'		LJC 06/22/05'
E	DRAWING UPDATE	JLZ 08/18/20'		

Notes:

Specifications:

- Contact Resistance: 20mΩ Max.
- Insulation Resistance: 500MΩ Min.
- Dielectric Withstanding Voltage: 300V AC(rms) For 1 Minute.
- Current Rating:1A.
- Temperature: -40°C~+105°C.

Materials:

- Contact Material: Copper Alloy.
- Contact Plating: Gold Plating Over Nickel.
- Insulator Material: PA-9T,Black,UL94-V0.

Product Number Code:

DS1031-09 - X X X X X X X X - X

- Plating level
3A: Level 3A
- Packing type
B:Tube
R:Tape on reel
T:Tray
- Pick up support
S: W/ pick up
X: W/O pick up
- DIM.A B C type
1: Type 1
or A* *-B* *-C* *
- Housing Dim.(DIM.H)
1: H=1.00mm 2: H=1.50mm
3: H=1.70mm 4: H=2.00mm
- Mounting type
S: SMT type
- Housing color
B:Black
- Contact plating
8: Full gold flash
- Connector type
P:Plug
- No.of contacts
2x3-2x40

GENERAL TOLERANCE		ANGLE TOLERANCE		PROJECTION		TITLE		
X.	±0.60	X.	±5°	UNITS	mm	1.27mm Pin Header SMT With Post Type		
.X	±0.38	.X	±3°	SHEET SIZE	A4			
.XX	±0.25	.XX	±2°			SERIES DS1031-09 SERIES		
DRAWING TYPE		CUSTOMER		晨翔电子有限公司 CONNFLY CONNELY ELECTRONIC CO., LTD				
SCALE		1:1					SHEET 1 OF 1	
DRAWING NO.		C-DS1031-09-XXXXXXX-3A-E						