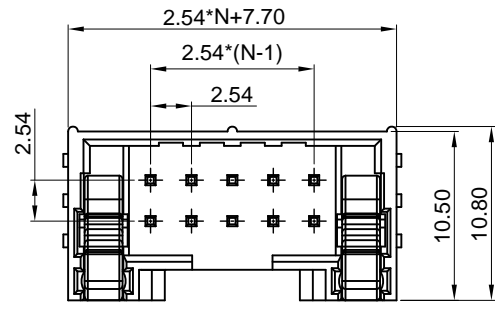
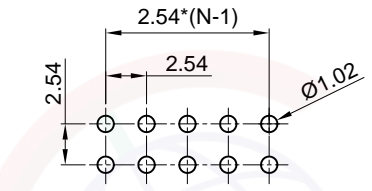
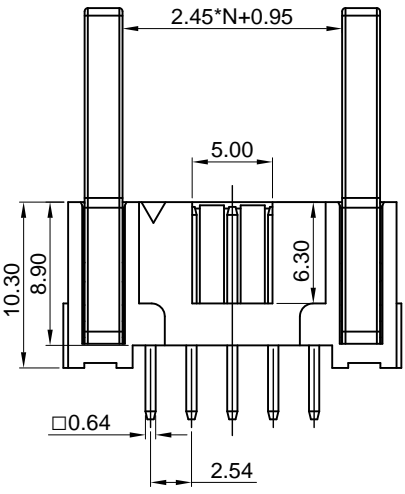


Dept	
Qty	
DC	1
ED	1
IE	1
ISO	1
PD	1
R&D	1
SD	1
QA	1
QC	1
QF	1

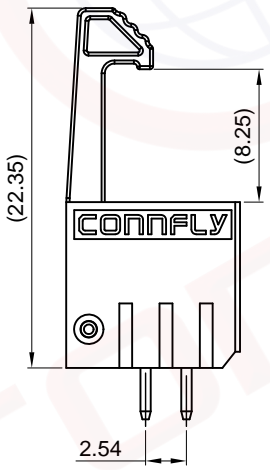
The information provided herein is from CONNPLY Electronic Co., Ltd. and is confidential. Any disclosure to a party other than the recipient is prohibited. The intellectual properties and its rights contained herein, including but not limited to, trademarks, patents, copyrights, trade secrets, and technical know-how, are owned exclusively by CONNPLY or its affiliates. Unauthorized use or reproduction of any part of this document is strictly prohibited. CONNPLY may enforce its intellectual property rights at its own discretion, failures or delays to exercise such rights does not constitute a waiver of such rights.



N=No.of contacts/2



Recommend PCB Layout  
(Tolerance:±0.05)



(Series Image-Reference Only)

REV.	DESCRIPTION	DRAWN	CHECKED	APPROVED
A	NEW RELEASE	JLZ 08/12/20'		
B	DRAWING UPDATE	JLZ 05/12/22'		

Notes:

Specifications:

- Contact Resistance: 20mΩ Max.
- Insulation Resistance: 1000MΩ Min.
- Dielectric Withstanding Voltage: 600V AC(rms) For 1 Minute.
- Current Rating:3A.
- Temperature: -40°C~+105°C.

Materials:

- Contact Material: Copper Alloy.
- Contact Plating: Gold Plating Over Nickel.
- Insulator Material: High temp,Black,UL94-V0.

Product Number Code:

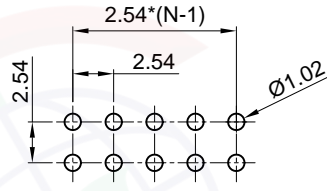
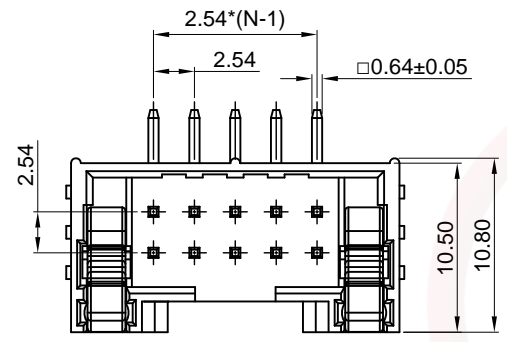
DS1013-05 - X X X X X - X

- Plating level  
3A: Level B: Level B
- Latch type  
1: Thermoplastic  
2: Metal
- Housing color  
B: Black
- Contact plating  
8: Full gold flash
- Mounting type  
V: V/T type
- No.of contacts  
06 08 10 14 16 20 24  
26 30 34 40 50 60 64

GENERAL TOLERANCE		ANGLE TOLERANCE		PROJECTION		TITLE	2.54mm Box Header V/T W/ Latch Type				
X.	±0.60	X.	±5°	UNITS	mm	SHEET SIZE	A4				
.X	±0.38	.X	±3°	SHEET SIZE	A4	SERIES	DS1013-05 SERIES				
.XX	±0.25	.XX	±2°								
DRAWING TYPE		CUSTOMER		<b>晨翔电子有限公司</b> <b>CONNPLY ELECTRONIC CO., LTD</b>							
SCALE		1:3							SHEET	1 OF 1	
DRAWING NO.		C-DS1013-05-XXXXX-X-B									

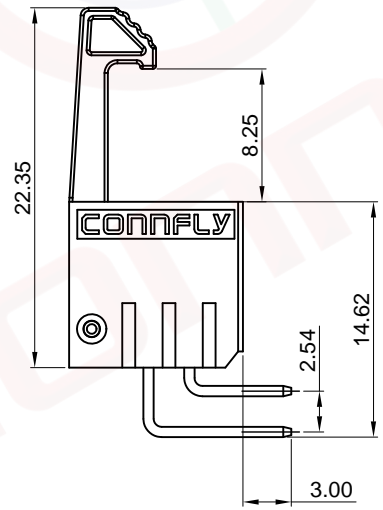
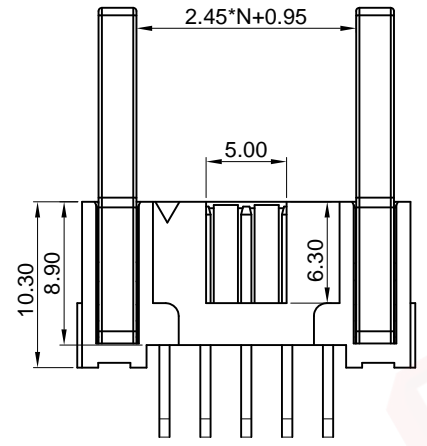
Dept	
Qty	
DC	1
ED	1
IE	1
ISO	1
PD	1
R&D	1
SD	1
QA	1
QC	1
QE	1

The information provided herein is from CONNELY Electronic Co., Ltd. and is confidential. Any disclosure to a party other than the recipient is prohibited. The intellectual properties and its rights contained herein, including but not limited to, trademarks, patents, copyrights, trade secrets, and technical know-how, are owned exclusively by CONNELY or its affiliates. Unauthorized use or reproduction of any part of this document is strictly prohibited. CONNELY may enforce its intellectual property rights at its own discretion, failures or delays to exercise such rights does not constitute a waiver of such rights.



Recommend PCB Layout  
(Tolerance:±0.05)

N=No.of contacts/2



(Series Image-Reference Only)

REV.	DESCRIPTION	DRAWN	CHECKED	APPROVED
A	NEW RELEASE	JLZ 08/12/20'		
B	DRAWING UPDATE	JLZ 05/12/22'		

Notes:

Specifications:

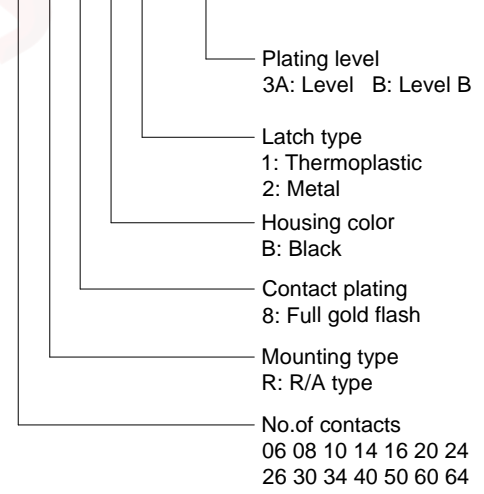
- Contact Resistance: 20mΩ Max.
- Insulation Resistance: 1000MΩ Min.
- Dielectric Withstanding Voltage: 600V AC(rms) For 1 Minute.
- Current Rating:3A.
- Temperature: -40°C~+105°C.

Materials:

- Contact Material: Copper Alloy.
- Contact Plating: Gold Plating Over Nickel.
- Insulator Material: High temp,Black,UL94-V0.

Product Number Code:

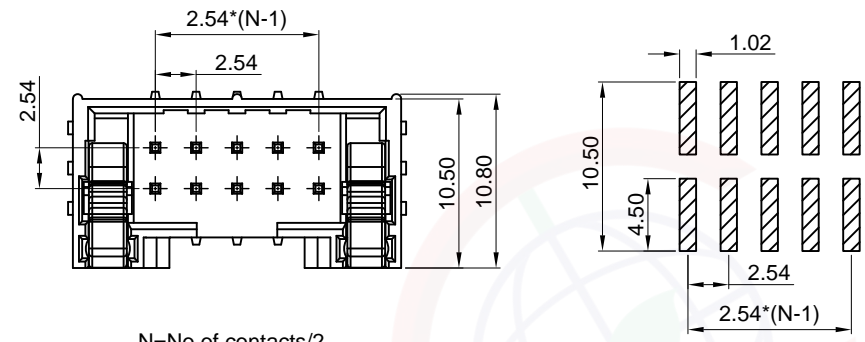
DS1013-05 - X X X X X - X



GENERAL TOLERANCE		ANGLE TOLERANCE		PROJECTION		TITLE	2.54mm Box Header R/A W/ Latch Type	
X.	±0.60	X.	±5°	UNITS	mm			
.X	±0.38	.X	±3°	SHEET SIZE	A4	SERIES	DS1013-05 SERIES	
.XX	±0.25	.XX	±2°	<b>晨翔电子有限公司</b> <b>CONNELY ELECTRONIC CO., LTD</b>				
DRAWING TYPE		CUSTOMER						
SCALE	1:1	SHEET	2 OF 3					
DRAWING NO.		C-DS1013-05-XXXXX-X-B						

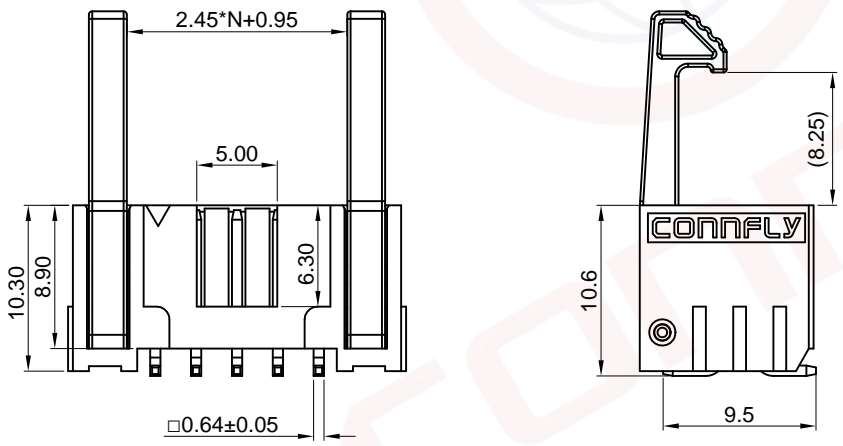
Dept	
Qty	
DC	1
ED	1
IE	1
ISO	1
PD	1
R&D	1
SD	1
QA	1
QC	1
QE	1

The information provided herein is from CONNELY Electronic Co., Ltd. and is confidential. Any disclosure to a party other than the recipient is prohibited. The intellectual properties and its rights contained herein, including but not limited to, trademarks, patents, copyrights, trade secrets, and technical know-how, are owned exclusively by CONNELY or its affiliates. Unauthorized use or reproduction of any part of this document is strictly prohibited. CONNELY reserves the right to make changes to the product specifications and drawings without notice. CONNELY may enforce its intellectual property rights at its own discretion, failures or delays in exercising such rights does not constitute a waiver of such rights.



N=No. of contacts/2

Recommend PCB Layout  
(Tolerance:±0.05)



±0.64±0.05



(Series Image-Reference Only)

REV.	DESCRIPTION	DRAWN	CHECKED	APPROVED
A	NEW RELEASE	JLZ 08/12/20'		
B	DRAWING UPDATE	JLZ 05/12/22'		

Notes:

Specifications:

- Contact Resistance: 20mΩ Max.
- Insulation Resistance: 1000MΩ Min.
- Dielectric Withstanding Voltage: 600V AC(rms) For 1 Minute.
- Current Rating:3A.
- Temperature: -40°C~+105°C.

Materials:

- Contact Material: Copper Alloy.
- Contact Plating: Gold Plating Over Nickel.
- Insulator Material: High temp,Black,UL94-V0.

Product Number Code:

DS1013-05 - X X X X X - X

- Plating level  
3A: Level B: Level B
- Latch type  
1: Thermoplastic  
2: Metal
- Housing color  
B: Black
- Contact plating  
8: Full gold flash
- Mounting type  
M: SMT type
- No. of contacts  
06 08 10 14 16 20 24  
26 30 34 40 50 60 64

GENERAL TOLERANCE		ANGLE TOLERANCE		PROJECTION		TITLE	2.54mm Box Header SMT W/ Latch Type	
X.	±0.60	X.	±5°	UNITS	mm	SERIES	DS1013-05 SERIES	
.X	±0.38	.X	±3°					
.XX	±0.25	.XX	±2°					
DRAWING TYPE		CUSTOMER		晨翔电子有限公司 CONNELY ELECTRONIC CO., LTD				
SCALE		1:1						
DRAWING NO.		C-DS1013-05-XXXXX-X-B						