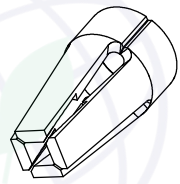
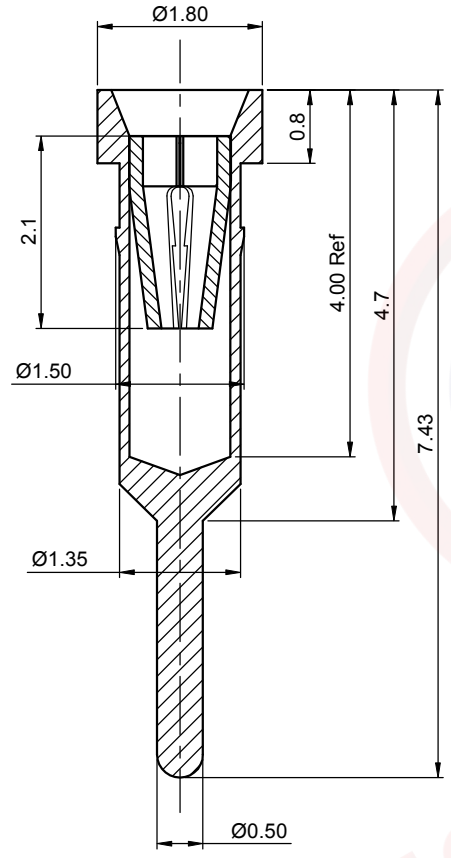


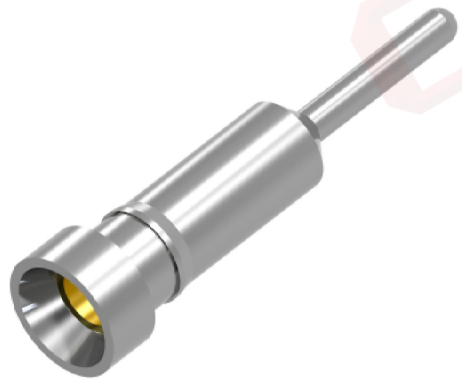
The information provided herein is from CONNELY Electronic Co., Ltd. and is confidential. Any disclosure to a party other than the recipient is prohibited. The intellectual properties and its rights contained herein, including but not limited to, trademarks, patents, copyrights, trade secrets, and technical know-how, are owned exclusively by CONNELY or its affiliates. Unauthorized use or reproduction of this information in any format or manner. CONNELY may enforce its intellectual property rights at its own discretion; failures or delays to exercise such rights does not constitute a waiver of such rights.

1 2 3 4 5 6 7 8

Dept	
Qty	
DC	1
ED	1
IE	1
ISO	1
PD	1
R&D	1
SD	1
QA	1
QC	1
QE	1



Clip figure(4 fingers)



(Series Image-Reference Only)

REV.	DESCRIPTION	DRAWN	CHECKED	APPROVED
A	NEW RELEASE	HP 07/12/05'		LJC 07/12/05'
B	CHANGE THE DIM	YCH 08/17/13'		LJC 08/17/13'
C	DRAWING UPDATE	JLZ 07/17/18'		

Technical data

- Material
 - Pin(Outer Sleeve): Brass,Machined,CuZn38Pb2
 - Clip: Copper alloy,Heat Treated
- Electrical
 - Current Rating: 3A max.
 - Contact Resistance: 20mΩ max.
- Mechanical
 - *Average Insertion Force With Steel Pin of Ø0.43mm/0.017": 4-Finger 270g max
 - *Average Withdrawal Force With Steel Pin of Ø0.50mm/0.020": 4-Finger 25g min
 - *Mechanical Life: min 200 Cycles

4. Product number code:

DS1005-09 - X X X - X

- Clip Materials
 - JK: Beryllium Copper
 - GC: Brass
- Clip plated
 - 6: Full Tin
 - 8: Full Gold flash
 - C: Full Gold 3u"
 - A: Full Gold 10u"
 - B: Full Gold 15u"
- Pin plated
 - 6: Full Tin
 - 8: Full Gold flash
 - C: Full Gold 3u"
 - A: Full Gold 10u"
 - B: Full Gold 15u"
- Clips
 - 4: 4Finger

GENERAL TOLERANCE		ANGLE TOLERANCE		PROJECTION		TITLE	SOCKET TERMINALS 7.43mm			
X.	±0.60	X.	±5°	UNITS	mm					
.X	±0.38	.X	±3°	SHEET SIZE	A4	SERIES	DS1005-09 SERIES			
.XX	±0.25	.XX	±2°							
DRAWING TYPE		CUSTOMER			晨翔电子有限公司 CONNELY CONNELY ELECTRONIC CO. LTD					
SCALE		1:1	SHEET						1 OF 1	
DRAWING NO.		C-DS1005-09-XXX-X-C								

1 2 3 4 5 6 7 8